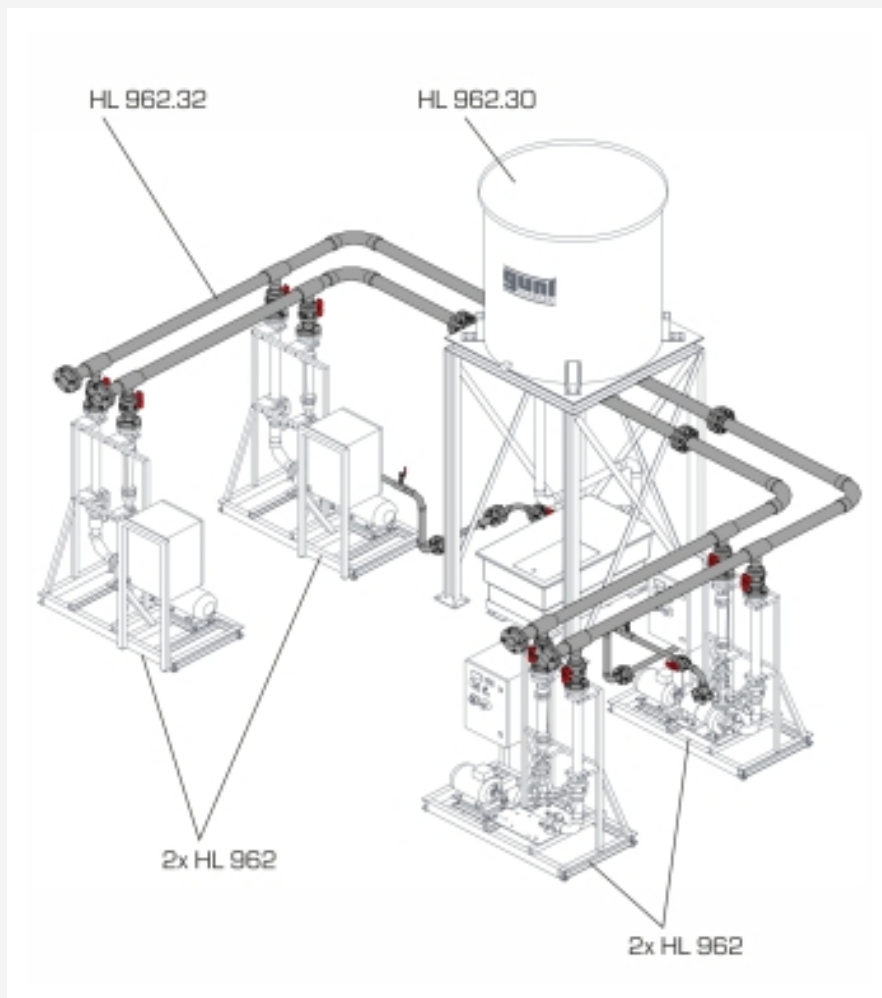


HL 962.32

Piping systems and fittings



Specification

- [1] pipes, fittings and connecting elements
- [2] enough for four HL 962 assembly stands and one HL 962.30 tank system

Technical data

Scope of delivery

- 1 set of accessories

Description

■ pipes, fittings and connecting elements for HL 962 and HL 962.30

The accessory set includes all pipes, fittings and connecting elements required to create a complete experimental setup for assembly and maintenance exercises.

A total of up to four HL 962 assembly stands can be connected to the HL 962.30 tank system.

HL 962.32

Piping systems and fittings

Required accessories

| | |
|-----------|--------------------------|
| HL 962 | Assembly stand for pumps |
| HL 962.30 | Tank system |