

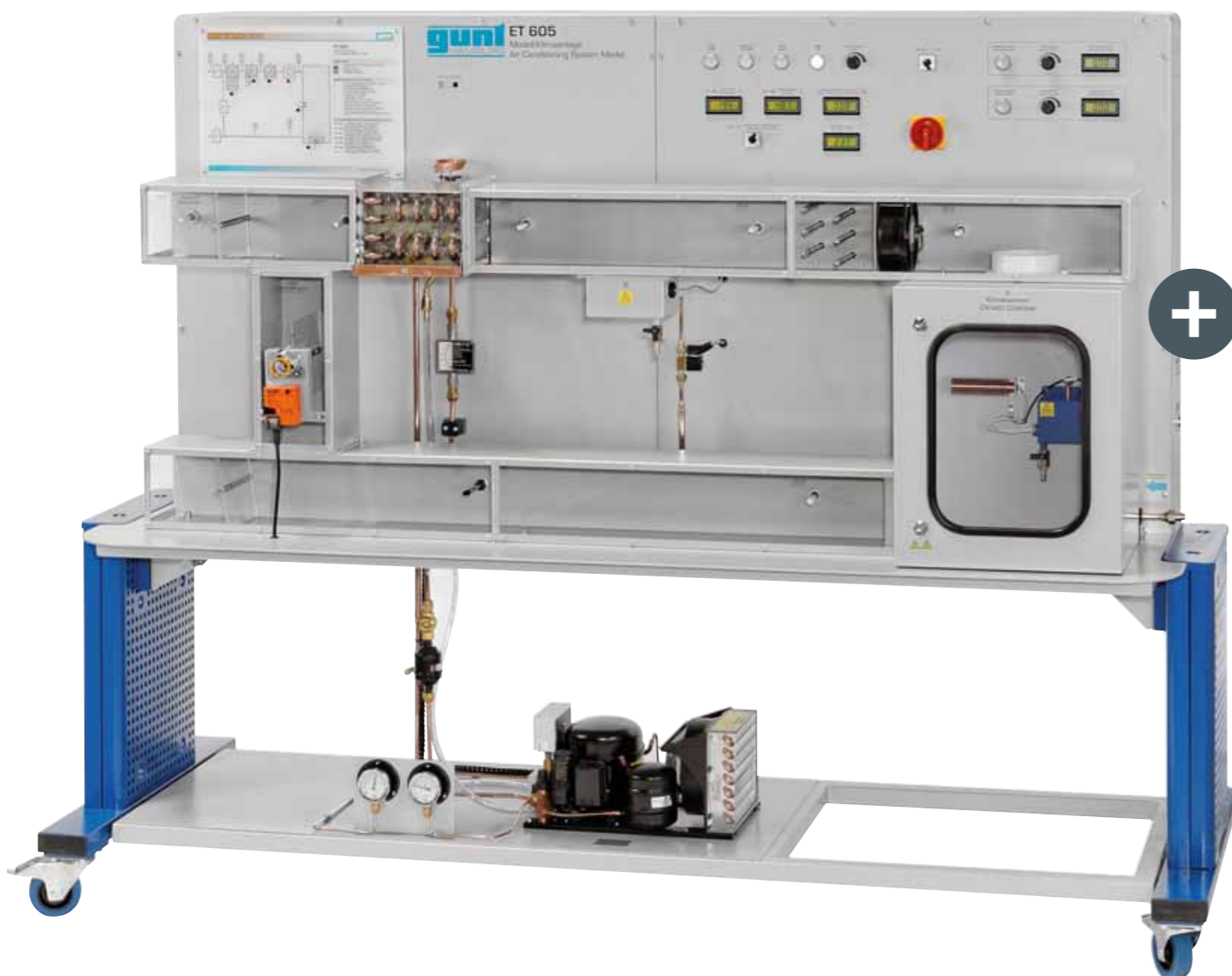
ET 605 Air conditioning system model plus automation solutions

A practical air conditioning system model with all elements and functions

The principles of air conditioning technology can be taught optimally with the model ET 605. The air conditioning system consists of an air duct with transparent front and a climatic chamber with two different cooling loads. The overall design of the system is guided by instructional and methodological aspects and thereby supports the learning process.

The main functions of the system – cooling, heating, humidifying, air transport – are activated or deactivated via switches. Recirculating and outer air operation are possible. All relevant measuring data can be read on digital displays.

An important extension of the teaching objectives is provided by the option to extend the system with different additions into a fully automated system.

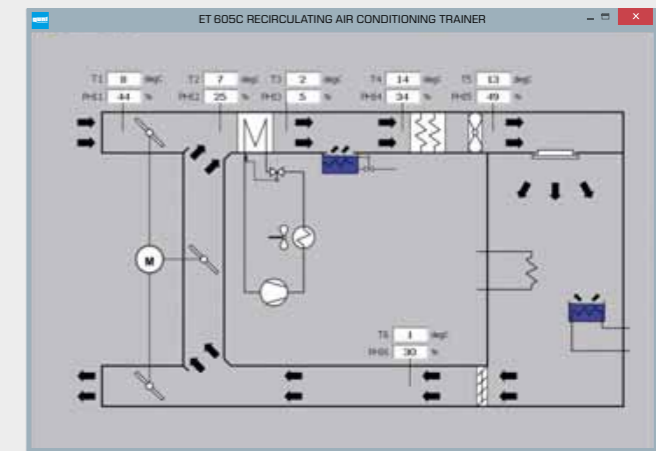


The software solution: clear and versatile

ET 605.01 Software controller with data acquisition

Data acquisition and visualisation, control and operation in a single software solution.

This solution is recommended if the focus is on instructional and methodological criteria. Compared to an industrial controller the software offers an attractive and very clear representation of the air conditioning process.



The industrial solution

ET 605.02 Air conditioning controller

This automation solution is recommended if the training objective focuses on the exact familiarisation with an industrial air conditioning controller. The controller matched to the ET 605 system offers a wide functional spectrum and a graphical display. Dependent on the desired temperature and humidity in the climatic chamber it controls the components.



The right tool for implementing your own ideas

ET 605.03 I/O connection box

This solution is recommended if the focus is on the topic of automation and own solutions are to be created. The connection box provides all relevant input and output signals which the user can further process according to his own requirements and ideas. The connection of any industrial air conditioning controller or independently written software are possible.

